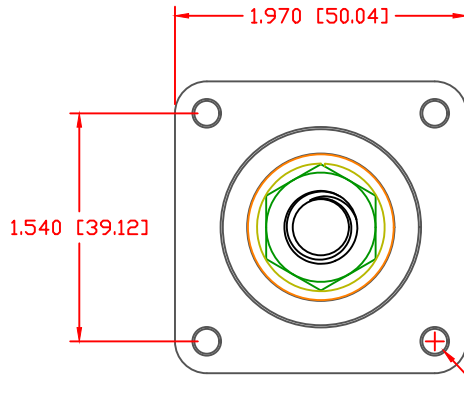
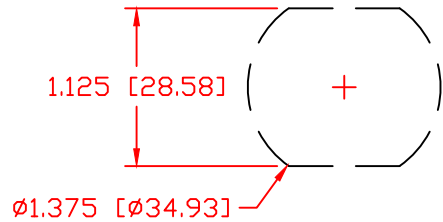


THE INFORMATION CONTAINED IN THIS DRAWING IS THE SOLE PROPERTY OF VTE INCORPORATED. ANY REPRODUCTION IN PART OR WHOLE WITHOUT THE WRITTEN PERMISSION OF VTE INCORPORATED IS PROHIBITED. VTE MAKES NO WARRANTY, EXPRESSED OR IMPLIED, AS TO THE SUITABILITY OF A PRODUCT FOR ANY INTENDED USE. THE CUSTOMER SHALL BEAR THE SOLE RESPONSIBILITY OF DETERMINING THE SUITABILITY OF ANY VTE PRODUCT FOR ITS END USE.

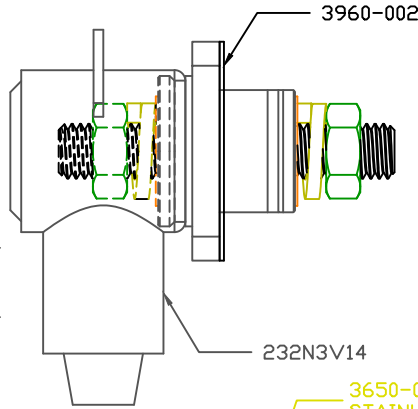
| LTR. | REVISIONS | DATE | INT. |
|------|-----------|------|------|
| | | | |

USE GREENLEE PUNCH
ASSEMBLY #60098
FOR PANEL CUTOUT

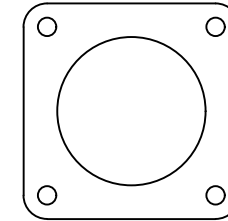


ASSEMBLY
CCFB506N0N14W
CONSIST OF :

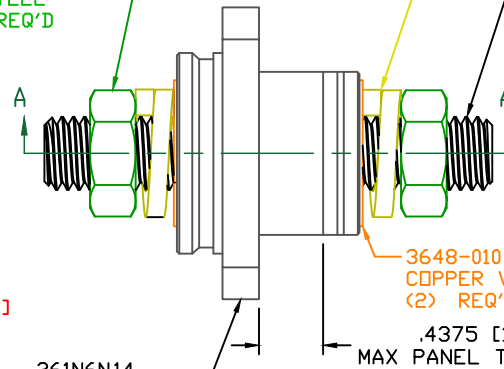
- 1-CCFB506N0N14
POWER BUSHING
- 1-3960-002
SEALING GASKET
- 1-232N3V14
INSULATOR BOOT



P/N 3960-002
.062 THICK CF 4480 81 DURDMETER
FIBERGLASS REINFORCED SILICONE
PRESS PAD SEALING GASKET



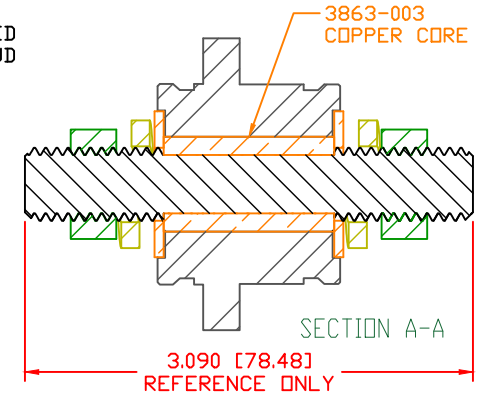
3850-001 1/2"-13
STAINLESS STEEL
JAM NUT (2) REQ'D



3650-000 LOCK WASHER
STAINLESS STEEL (2) REQ'D

3742-015
NICKEL PLATED
MOUNTING STUD

3863-003
COPPER CORE



361N6N14
GLASS FILLED
NYLON BUSHING

.4375 [11.11]
MAX PANEL THICKNESS


3.090 [78.48]
REFERENCE ONLY

SCALE FACTOR : NONE
ALL DIMENSIONS GIVEN AS: in [mm]
TOLERANCES UNLESS OTHERWISE SPECIFIED :
MOLDED PARTS: ±.030" [±0.8mm]
HARDWARE ITEMS: ±.010" [±0.25mm]

MAXIMUM FASTENER TORQUES:
JAM NUTS: 198 IN-LBS [22.30 Nm]

CURRENT CARRYING CAPACITY:
DUTY CYCLE: 80%
CURRENT CAPACITY: 5.2 Kw (440 AMP @ 12VDC)
TEMPORARY MAX (12 MINUTES) 6.6 Kw (550 AMP @ 12VDC)

MATERIAL PART NO: 1111210514UL
MATERIAL: GLASS FILLED NYLON
VENDOR PART NO: NYLON N2015 HL BK
SPECIFIC GRAVITY: 1.23
MELTING TEMP: 515 F [268 C]
U.L. RATING: UL 94 HB

| | | | |
|---|-----------|---|----------------|
|  | | VTE Incorporated 5437 Robinson Road, P.O. Box 790 Pellston, Michigan 49769 Telephone: 1-800-527-9256, 231-539-8000 FAX: 231-539-0914 | |
| | | REF: | DATE: 11-16-17 |
| TITLE: 1/2" PANEL MOUNT POWER BUSHING, COPPER CORE | | CHK'D BY: PJK | |
| MATERIAL: GLASS FILLED NYLON | | PART NO: CCFB506N14W | |
| COLOR: BLACK | DRG CLASS | | |