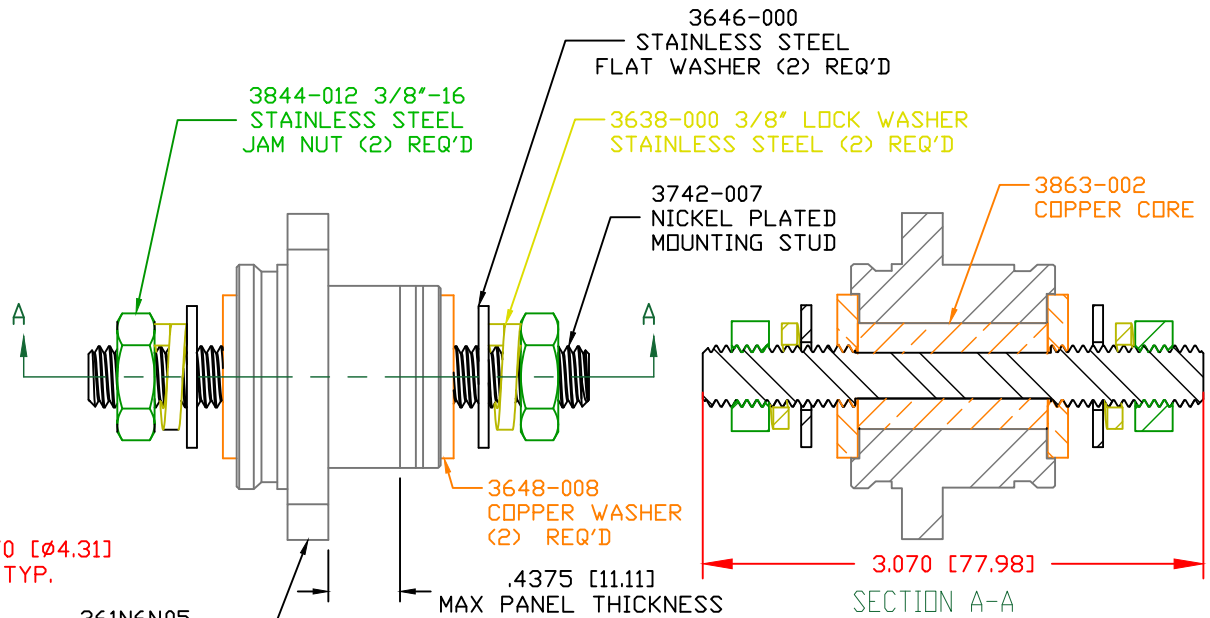
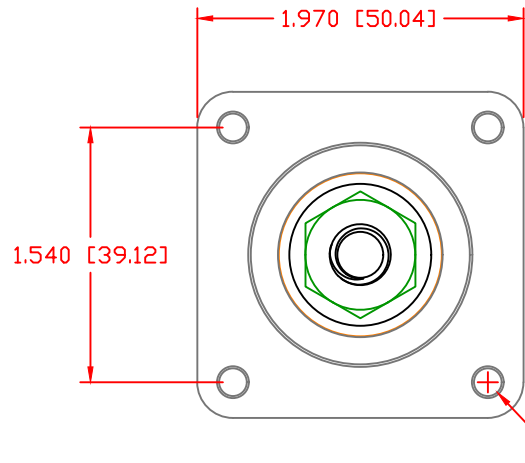
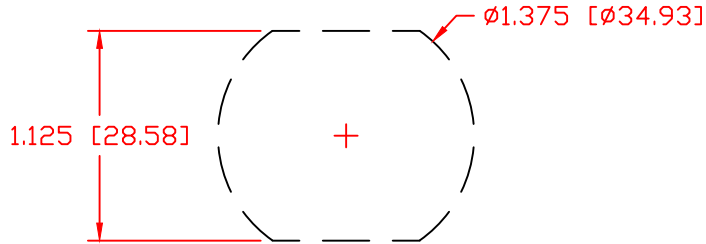


THE INFORMATION CONTAINED IN THIS DRAWING IS THE SOLE PROPERTY OF VTE INCORPORATED. ANY REPRODUCTION IN PART OR WHOLE WITHOUT THE WRITTEN PERMISSION OF VTE INCORPORATED IS PROHIBITED. VTE MAKES NO WARRANTY, EXPRESSED OR IMPLIED, AS TO THE SUITABILITY OF A PRODUCT FOR ANY INTENDED USE. THE CUSTOMER SHALL BEAR THE SOLE RESPONSIBILITY OF DETERMINING THE SUITABILITY OF ANY VTE PRODUCT FOR ITS END USE.

| LTR. | REVISIONS                        | DATE     | INT. |
|------|----------------------------------|----------|------|
|      | PRELIMINARY DRAWING FOR APPROVAL | 11-12-20 | EJE  |

USE GREENLEE PUNCH  
ASSEMBLY #60098  
FOR PANEL CUTOUT




SCALE FACTOR: NONE  
ALL DIMENSIONS GIVEN AS: in [mm]  
TOLERANCES UNLESS OTHERWISE SPECIFIED:  
MOLDED PARTS: ±.030" [±0.8mm]  
HARDWARE ITEMS: ±.010" [±0.25mm]

MAXIMUM FASTENER TORQUES:  
JAM NUTS: 212 IN-LBS [24.0 Nm]

CURRENT CARRYING CAPACITY:  
DUTY CYCLE: 80%  
CURRENT CAPACITY: 7.2 Kw (600 AMP @ 12VDC)  
TEMPORARY MAX (12 MINUTES): 9.0 Kw (750 AMP @ 12VDC)

MATERIAL PART NO: 7111210505  
MATERIAL: GLASS FILLED NYLON  
VENDOR PART NO: HYLON N2015 HL NAT  
SPECIFIC GRAVITY: 1.23  
MELTING TEMP: 515 F [268 C]  
U.L. RATING: UL 94 HB

|   |                   |   |                  |             |
|---|-------------------|---|------------------|-------------|
|  |                   | <b>VTE Incorporated</b><br>5437 Robinson Road, P.O. Box 790<br>Pellston, Michigan 49769<br>Telephone: 1-800-527-9256, 231-539-8000<br>FAX: 231-539-0914 |                  |             |
|   |                   | REF:  | DATE: 11-12-2020 | DRN BY: EJE |
| TITLE: 3/8" PANEL MOUNT POWER BUSHING, COPPER CORE, HIGH CAPACITY                     |                   | CHK'D BY: PJK   |                  |             |
| MATERIAL: GLASS FILLED NYLON  |                   | PART NO. CCFB378N05   |                  |             |
| COLOR: YELLOW   | DRG CLASS: PRELIM |   |                  |             |