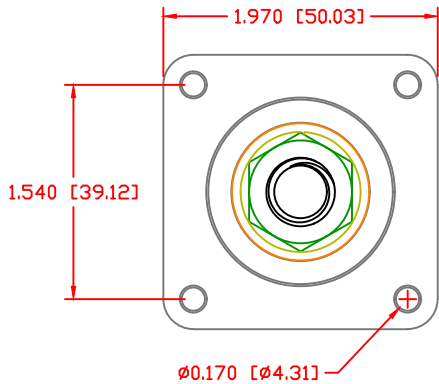
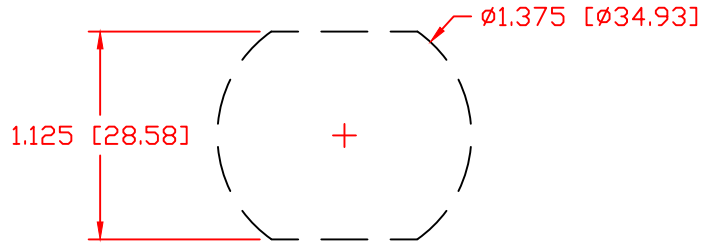


THE INFORMATION CONTAINED IN THIS DRAWING IS THE SOLE PROPERTY OF VTE INCORPORATED. ANY REPRODUCTION IN PART OR WHOLE WITHOUT THE WRITTEN PERMISSION OF VTE INCORPORATED IS PROHIBITED. VTE MAKES NO WARRANTY, EXPRESSED OR IMPLIED, AS TO THE SUITABILITY OF A PRODUCT FOR ANY INTENDED USE. THE CUSTOMER SHALL BEAR THE SOLE RESPONSIBILITY OF DETERMINING THE SUITABILITY OF ANY VTE PRODUCT FOR ITS END USE.

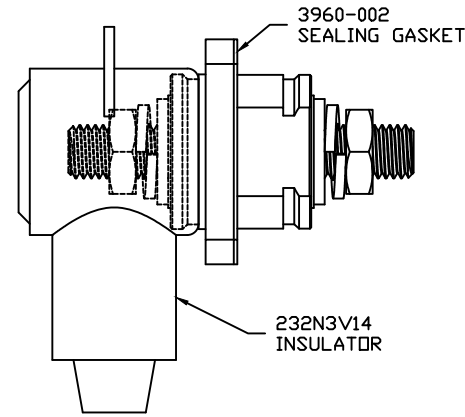
LTR.	REVISIONS	DATE	INT.
	FOR APPROVAL IN HOUSE	11-11-20	EJE

USE GREENLEE PUNCH
ASSEMBLY #60098
FOR PANEL CUTOUT

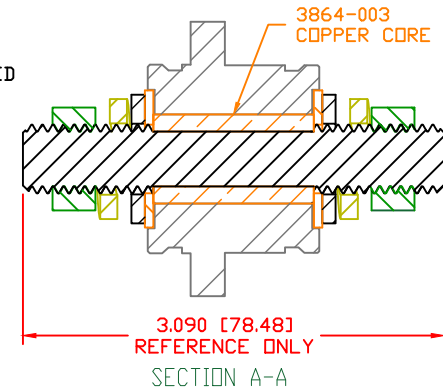
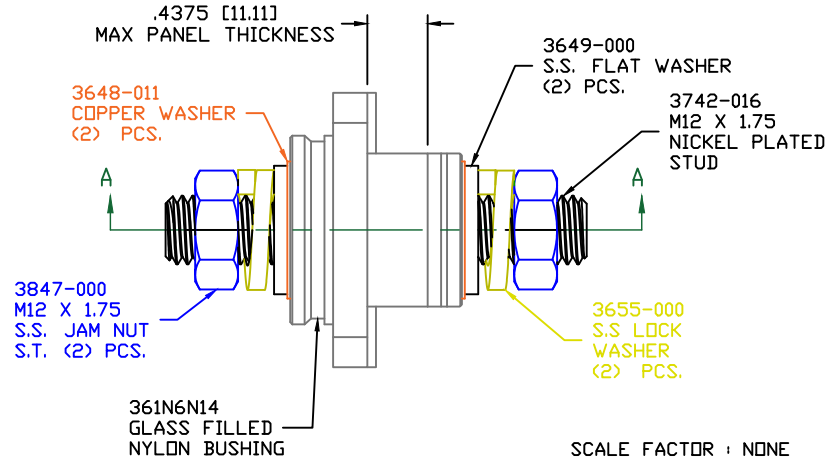
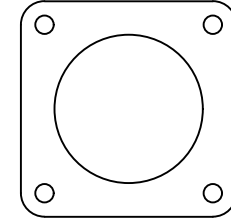


ASSEMBLY
CCFB126N14 W
CONSIST OF :

- 1-CCFB126N14
POWER BUSHING
- 1-3960-002
SEALING GASKET
- 1-232N3V14
INSULATOR BOOT



P/N 3960-002
.062 THICK CF 4480 81 DURDMETER
FIBERGLASS REINFORCED SILICONE
PRESS PAD SEALING GASKET




SCALE FACTOR : NONE
ALL DIMENSIONS GIVEN AS: in [mm]
TOLERANCES UNLESS OTHERWISE SPECIFIED :
MOLDED PARTS: ±.030" [±0.8mm]
HARDWARE ITEMS: ±.010" [±0.25mm]

MAXIMUM FASTENER TORQUES:
JAM NUTS: 198 IN-LBS [22.30 Nm]

CURRENT CARRYING CAPACITY:
DUTY CYCLE: 80%
CURRENT CAPACITY: 5.2 Kw (440 AMP @ 12VDC)
TEMPORARY MAX (12 MINUTES): 6.6 Kw (550 AMP @ 12VDC)

MATERIAL PART NO: 1111210514UL
MATERIAL: GLASS FILLED NYLON
VENDOR PART NO: HYLON N2015 HL BK
SPECIFIC GRAVITY: 1.23
MELTING TEMP: 515 F [268 C]
U.L. RATING: UL 94 HB

		VTE Incorporated 5437 Robinson Road, P.O. Box 790 Pellston, Michigan 49769 Telephone: 1-800-527-9256, 231-539-8000 FAX: 231-539-0914	
		REF:	DATE: 11-11-2020
		CHK'D BY: PJK	
TITLE: 12MM PANEL MOUNT POWER BUSHING, COPPER CORE			
MATERIAL: GLASS FILLED NYLON		PART NO.	
COLOR: BLACK		CCFB126N14 W	
DRG CLASS: PRELIM			