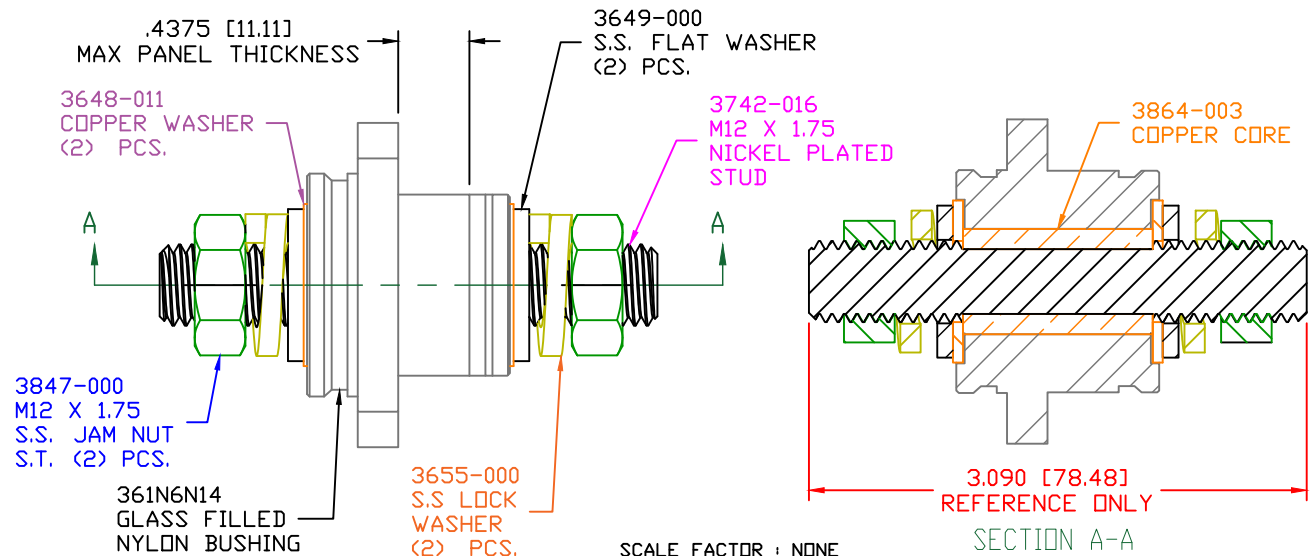
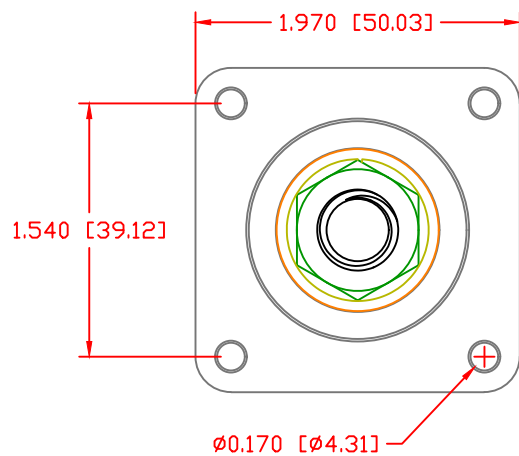
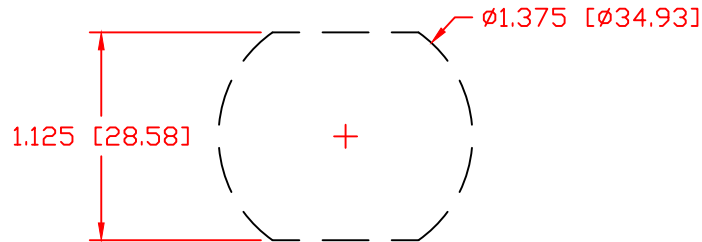


THE INFORMATION CONTAINED IN THIS DRAWING IS THE SOLE PROPERTY OF VTE INCORPORATED. ANY REPRODUCTION IN PART OR WHOLE WITHOUT THE WRITTEN PERMISSION OF VTE INCORPORATED IS PROHIBITED. VTE MAKES NO WARRANTY, EXPRESSED OR IMPLIED, AS TO THE SUITABILITY OF A PRODUCT FOR ANY INTENDED USE. THE CUSTOMER SHALL BEAR THE SOLE RESPONSIBILITY OF DETERMINING THE SUITABILITY OF ANY VTE PRODUCT FOR ITS END USE.

LTR.	REVISIONS	DATE	INT.
	FOR APPROVAL IN HOUSE	11-11-20	EJE

USE GREENLEE PUNCH  
ASSEMBLY #60098  
FOR PANEL CUTOUT




SCALE FACTOR : NONE  
ALL DIMENSIONS GIVEN AS: in [mm]  
TOLERANCES UNLESS OTHERWISE SPECIFIED :  
MOLDED PARTS: ±.030" [±0.8mm]  
HARDWARE ITEMS: ±.010" [±0.25mm]

MAXIMUM FASTENER TORQUES:  
JAM NUTS: 198 IN-LBS [22.30 Nm]

CURRENT CARRYING CAPACITY:  
DUTY CYCLE: 80%  
CURRENT CAPACITY: 5.2 Kw (440 AMP @ 12VDC)  
TEMPORARY MAX (12 MINUTES): 6.6 Kw (550 AMP @ 12VDC)

MATERIAL PART NO: 1111210514UL  
MATERIAL: GLASS FILLED NYLON  
VENDOR PART NO: HYLON N2015 HL BK  
SPECIFIC GRAVITY: 1.23  
MELTING TEMP: 515 F [268 C]  
U.L. RATING: UL 94 HB

		<b>VTE Incorporated</b> 5437 Robinson Road, P.O. Box 790 Pellston, Michigan 49769 Telephone: 1-800-527-9256, 231-539-8000 FAX: 231-539-0914		
		REF:	DATE: 11-11-2020	DRN BY: EJE
		CHK'D BY: PJK		
TITLE: 12MM PANEL MOUNT POWER BUSHING, COPPER CORE				
MATERIAL: GLASS FILLED NYLON		PART NO: CCFB126N14		
COLOR: BLACK	DRG CLASS: PRELIM			