

THE INFORMATION CONTAINED IN THIS DRAWING IS THE SOLE PROPERTY OF VTE INCORPORATED. ANY REPRODUCTION IN PART OR WHOLE WITHOUT THE WRITTEN PERMISSION OF VTE INCORPORATED IS PROHIBITED. VTE MAKES NO WARRANTY, EXPRESSED OR IMPLIED, AS TO THE SUITABILITY OF A PRODUCT FOR ANY INTENDED USE. THE CUSTOMER SHALL BEAR THE SOLE RESPONSIBILITY OF DETERMINING THE SUITABILITY OF ANY VTE PRODUCT FOR ITS END USE.

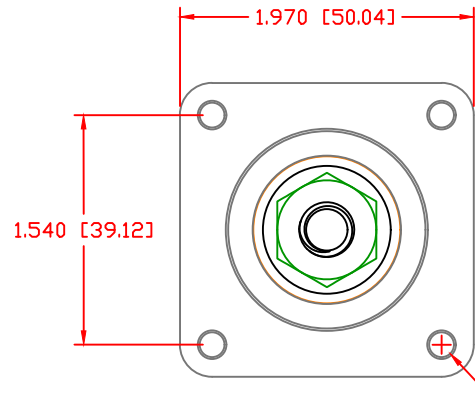
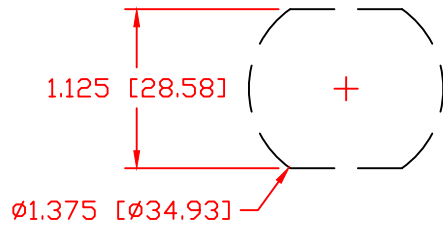
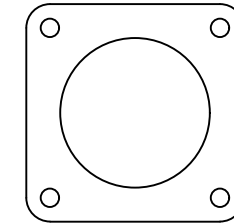
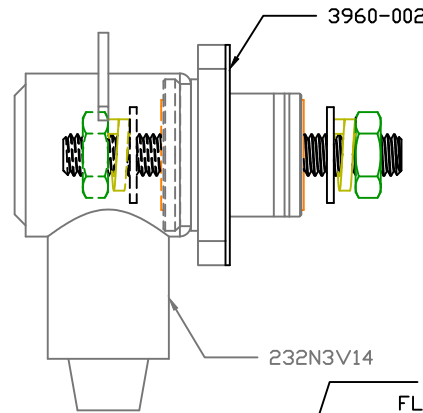
LTR.	REVISIONS	DATE	INT.
	PRELIMINARY DRAWING FOR APPROVAL	11-12-20	EJE

USE GREENLEE PUNCH  
ASSEMBLY #60098  
FOR PANEL CUTOUT

P/N 3960-002  
.062 THICK CF 4480 81 DUROMETER  
FIBERGLASS REINFORCED SILICONE  
PRESS PAD SEALING GASKET

ASSEMBLY CCFB108N14W  
CONSIST OF :

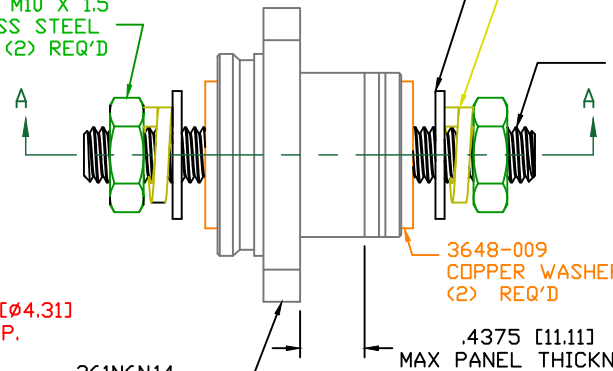
- 1-CCFB108N14  
POWER BUSHING
- 1-3960-002  
SEALING GASKET
- 1-232N3V14  
INSULATOR BOOT



3845-000 M10 X 1.5  
STAINLESS STEEL  
JAM NUT (2) REQ'D

Ø0.170 [Ø4.31]  
TYP.

361N6N14  
GLASS FILLED  
NYLON BUSHING



3646-000  
STAINLESS STEEL  
FLAT WASHER (2) REQ'D

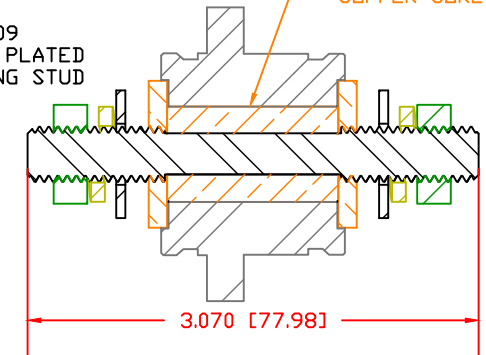
3638-M LOCK WASHER  
STAINLESS STEEL (2) REQ'D

3742-009  
NICKEL PLATED  
MOUNTING STUD

3648-009  
COPPER WASHER  
(2) REQ'D

3864-002  
COPPER CORE

.4375 [11.11]  
MAX PANEL  
THICKNESS



SECTION A-A

SCALE FACTOR : NONE  
ALL DIMENSIONS GIVEN AS: in [mm]  
TOLERANCES UNLESS OTHERWISE SPECIFIED :  
MOLDED PARTS: ±.030" [±0.8mm]  
HARDWARE ITEMS: ±.010" [±0.25mm]

MAXIMUM FASTENER TORQUES:  
JAM NUTS: 212 IN-LBS [24.0 Nm]

CURRENT CARRYING CAPACITY:  
DUTY CYCLE:  
CURRENT CAPACITY:  
TEMPORARY MAX (12 MINUTES)

80%  
7.2 Kw (600 AMP @ 12VDC)  
9.0 Kw (750 AMP @ 12VDC)

MATERIAL PART NO: 1111210514UL  
MATERIAL: GLASS FILLED NYLON  
VENDOR PART NO: NYLON N2015 HL BK  
SPECIFIC GRAVITY: 1.23  
MELTING TEMP: 515 F [268 C]  
U.L. RATING: UL 94 HB

**VTE Incorporated**  
5437 Robinson Road, P.O. Box 790  
Pellston, Michigan 49769  
Telephone: 1-800-527-9256, 231-539-8000  
FAX: 231-539-0914

REF:	DATE: 11-12-2020	DRN BY: EJE CHK'D BY: PJK	WEIGHT:
TITLE: 10MM WEATHERPROOF PANEL MOUNT POWER BUSHING, HIGH CAPACITY			
MATERIAL: GLASS FILLED NYLON		PART NO. CCFB108N14 W	
COLOR: BLACK	DRG CLASS PRELIM		