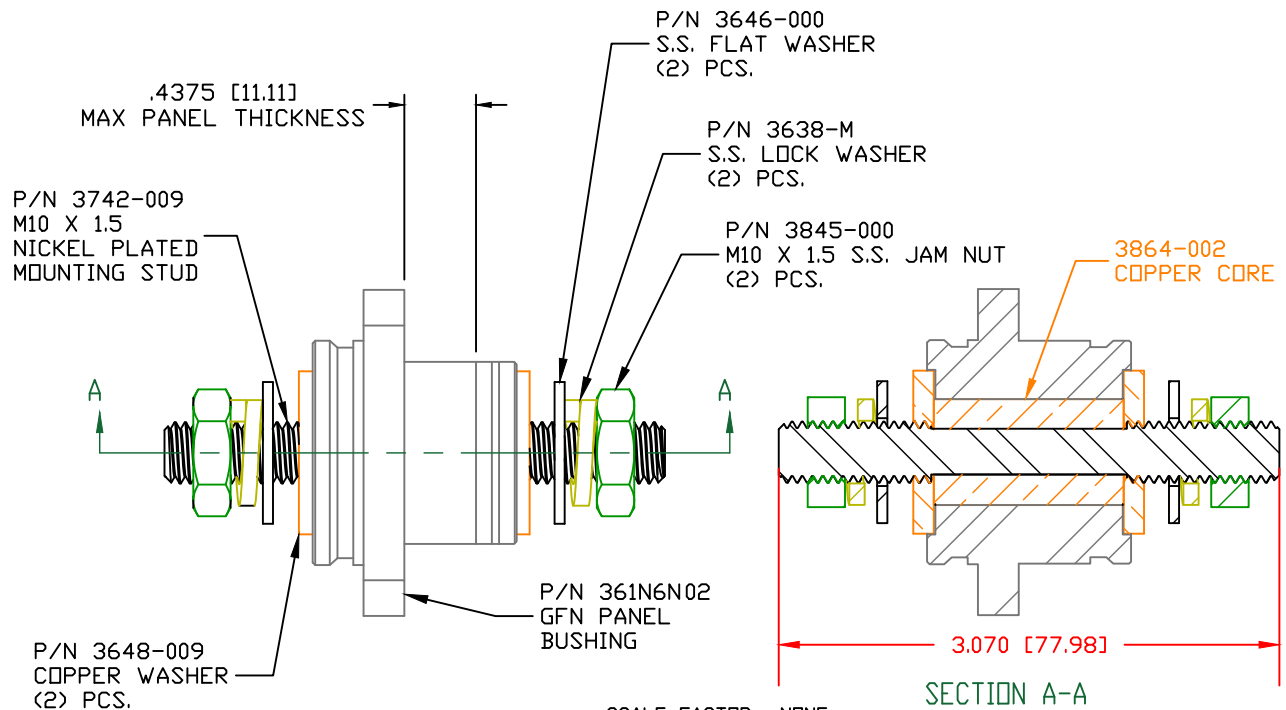
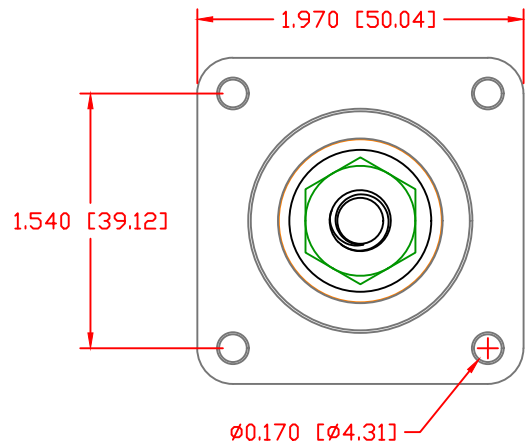
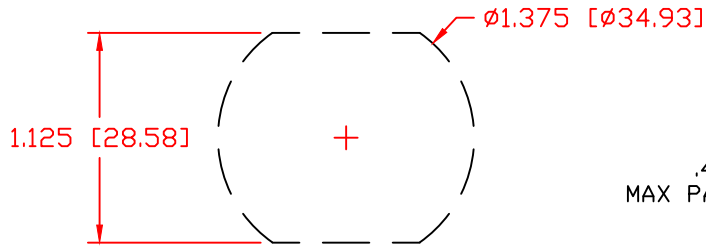


THE INFORMATION CONTAINED IN THIS DRAWING IS THE SOLE PROPERTY OF VTE INCORPORATED. ANY REPRODUCTION IN PART OR WHOLE WITHOUT THE WRITTEN PERMISSION OF VTE INCORPORATED IS PROHIBITED. VTE MAKES NO WARRANTY, EXPRESSED OR IMPLIED, AS TO THE SUITABILITY OF A PRODUCT FOR ANY INTENDED USE. THE CUSTOMER SHALL BEAR THE SOLE RESPONSIBILITY OF DETERMINING THE SUITABILITY OF ANY VTE PRODUCT FOR ITS END USE.

LTR.	REVISIONS	DATE	INT.
	PRELIMINARY DRAWING FOR APPROVAL	11-12-20	EJE

USE GREENLEE PUNCH
ASSEMBLY #60098
FOR PANEL CUTOUT




SCALE FACTOR : NONE
ALL DIMENSIONS GIVEN AS: in [mm]
TOLERANCES UNLESS OTHERWISE SPECIFIED :
MOLDED PARTS: ±.030" [±0.8mm]
HARDWARE ITEMS: ±.010" [±0.25mm]

MAXIMUM FASTENER TORQUES:
JAM NUTS: 212 IN-LBS [24.0 Nm]

CURRENT CARRYING CAPACITY:
DUTY CYCLE:
CURRENT CAPACITY:
TEMPORARY MAX (12 MINUTES)

80%
7.2 Kw (600 AMP @ 12VDC)
9.0 Kw (750 AMP @ 12VDC)

MATERIAL PART NO: 7111210502
MATERIAL: GLASS FILLED NYLON
VENDOR PART NO: HYLON N2015 HL NAT
SPECIFIC GRAVITY: 1.23
MELTING TEMP: 515 F [268 C]
U.L. RATING: UL 94 HB

		VTE Incorporated 5437 Robinson Road, P.O. Box 790 Pellston, Michigan 49769 Telephone: 1-800-527-9256, 231-539-8000 FAX: 231-539-0914	
		REF:	DATE: 11-11-2020
		CHK'D BY: PJK	
TITLE: 10MM PANEL MOUNT POWER BUSHING, COPPER CORE, HIGH CAPACITY			
MATERIAL: GLASS FILLED NYLON		PART NO.	
COLOR: RED	DRG CLASS: PRELIM	CCFB108N02	