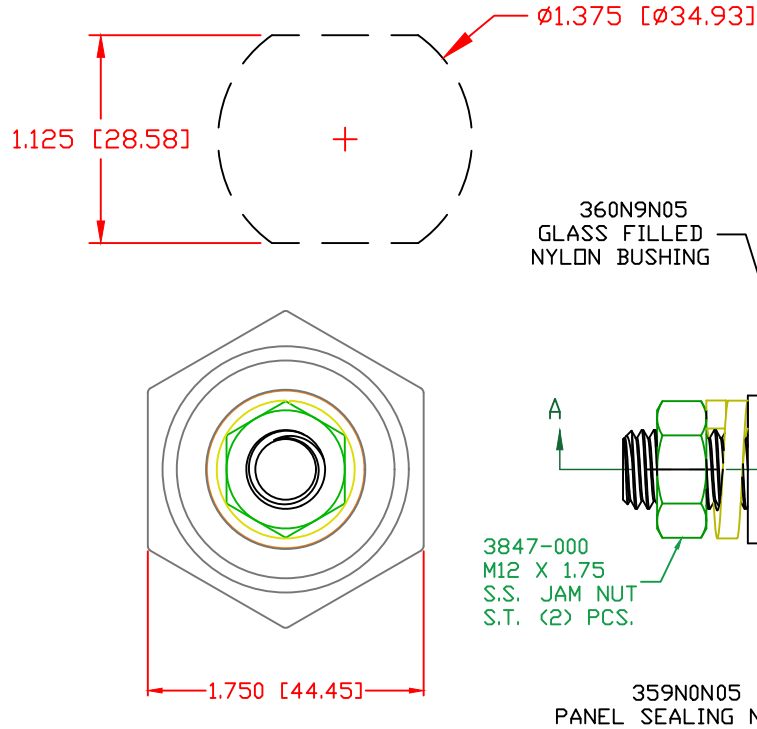


THE INFORMATION CONTAINED IN THIS DRAWING IS THE SOLE PROPERTY OF VTE INCORPORATED. ANY REPRODUCTION IN PART OR WHOLE WITHOUT THE WRITTEN PERMISSION OF VTE INCORPORATED IS PROHIBITED. VTE MAKES NO WARRANTY, EXPRESSED OR IMPLIED, AS TO THE SUITABILITY OF A PRODUCT FOR ANY INTENDED USE. THE CUSTOMER SHALL BEAR THE SOLE RESPONSIBILITY OF DETERMINING THE SUITABILITY OF ANY VTE PRODUCT FOR ITS END USE.

LTR.	REVISIONS	DATE	INT.
	PRELIM FOR IN HOUSE APPROVAL	11-11-20	EJE

USE GREENLEE PUNCH  
ASSEMBLY #60098  
FOR PANEL CUTOUT



MAXIMUM FASTENER TORQUES:  
JAM NUTS: 198 IN-LBS [22.30 Nm]  
SEALING NUT: 120 IN-LBS [13.56 Nm]

CURRENT CARRYING CAPACITY:  
DUTY CYCLE: 80%  
CURRENT CAPACITY: 5.2 Kw (440 AMP @ 12VDC)  
TEMPORARY MAX (12 MINUTES): 6.6 Kw (550 AMP @ 12VDC)

MATERIAL PART NO: 7111210505  
MATERIAL: GLASS FILLED NYLON  
VENDOR PART NO: NYLON N2015 HL NAT  
SPECIFIC GRAVITY: 1.23  
MELTING TEMP: 515 F [268 C]  
U.L. RATING: UL 94 HB

SCALE FACTOR : NONE  
ALL DIMENSIONS GIVEN AS: in [mm]  
TOLERANCES UNLESS OTHERWISE SPECIFIED :  
MOLDED PARTS:  $\pm 0.30$ " [ $\pm 0.8$ mm]  
HARDWARE ITEMS:  $\pm 0.10$ " [ $\pm 0.25$ mm]



VTE Incorporated  
5437 Robinson Road, P.O. Box 790  
Pellston, Michigan 49769  
Telephone: 1-800-527-9256, 231-539-8000  
FAX: 231-539-0914

REF:	DATE: 11-11-2020	DRN BY: EJE CHK'D BY: PJK	WEIGHT:
TITLE: 12MM POWER BUSHING, COPPER CORE			
MATERIAL: GLASS FILLED NYLON		PART NO. CCB126N05	
COLOR: YELLOW	DRG CLASS: PRELIM		