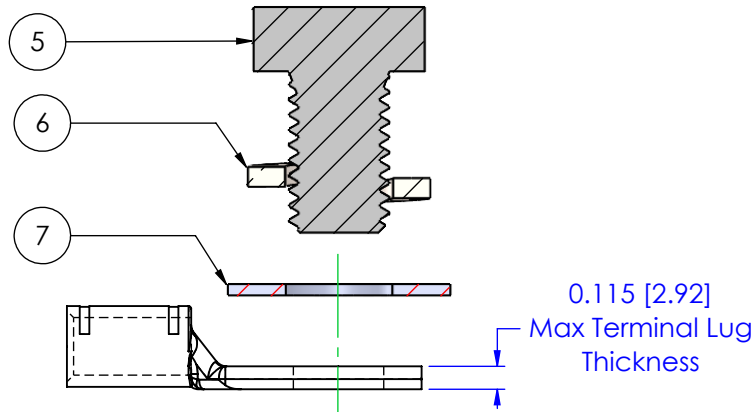
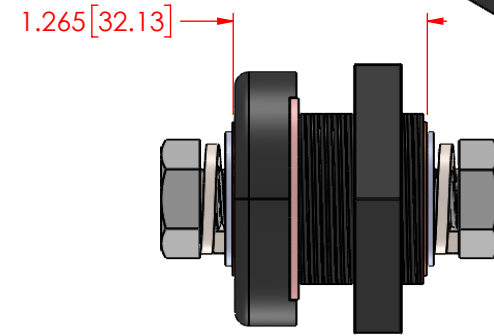
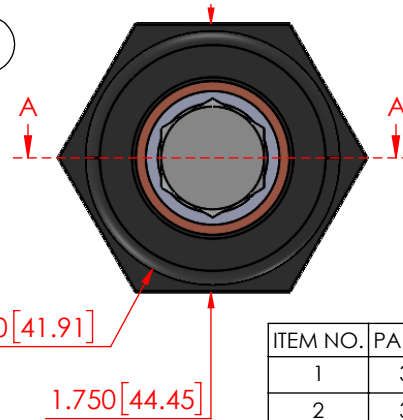
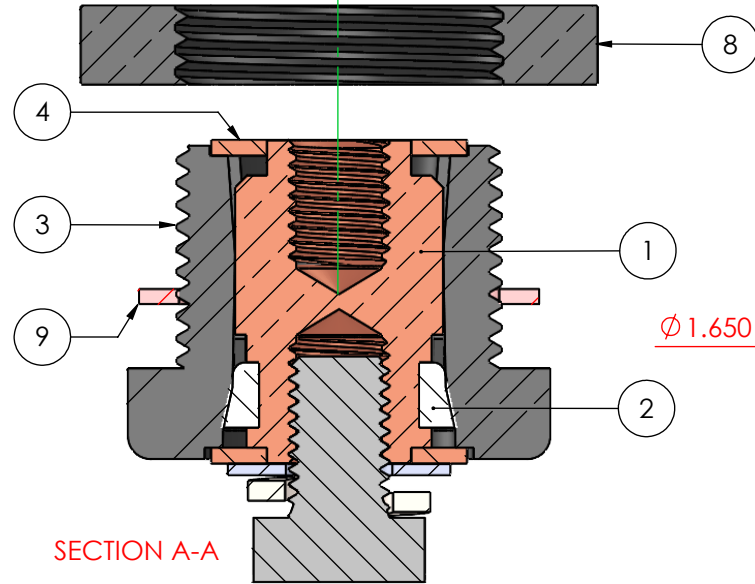
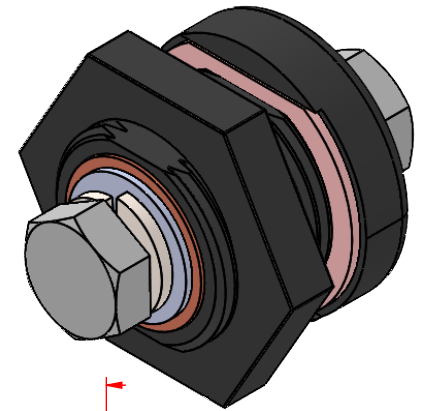
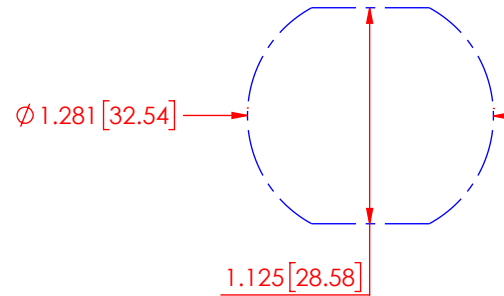


REVISIONS			
REV.	DESCRIPTION	DATE	APPROVED



PANEL CUT-OUT



ITEM NO.	PART NUMBER	DESCRIPTION	QTY.
1	3865-001	M10 x 1.5 Threaded Copper Core	1
2	3962-001	Rubber Inner Seal	1
3	362N1N14	Nylon Power Bushing Housing "Black"	1
4	3648-013	M10 ICB Copper Contact washer	2
5	3743-005	10mm x 1.5 18-8 Stainless Steel Hex Head Bolt 16mm Long	2
6	3638-M	M10 18-8 Stainless Steel Lock Washer	2
7	3646-000	3/8" 18-8 Stainless Steel Flat Washer	2
8	359NON14	Glass Filled Nylon Locking Nut (Black)	1
9	3960-005	Norseal Red Silicone Gasket	1

CABLE TEMP RATING : 60c 90c 105c 125c  
 CURRENT RATING @ 12vdc : 400A 550A 640A 710A  
 TEMPORARY MAX @ 12vdc : 430A 590A 685A 760A

MAXIMUM VOLTAGE : 48 VDC  
 MATERIAL PART NO: 1111210514UL  
 MATERIAL: GLASS FILLED NYLON  
 VENDOR PART NO: HYLON N2015 HL BK

MAX M10 FASTENER TORQUE: 212 IN./LBS. [24.0 Nm]  
 MAX NYLON NUT TORQUE: 120 IN./LBS. [13.56 Nm]

Assembly Weight :  
 0.31 Lbs. [141.4 g]

ALL DIMENSIONS GIVEN AS : INCH [METRIC]  
 TOLERANCES UNLESS OTHERWISE SPECIFIED :  
 MOLDED PRODUCTS :  $\pm 0.030'' / \pm 0.8\text{mm}$   
 HARDWARE PRODUCTS :  $\pm 0.010'' / \pm 0.25\text{mm}$

PRINTED COPIES ARE NOT CONTROLLED  
**PROPRIETARY AND CONFIDENTIAL**  
 THE INFORMATION CONTAINED IN THIS DRAWING IS THE SOLE PROPERTY OF VTE INCORPORATED. ANY REPRODUCTION IN PART OR AS A WHOLE WITHOUT THE WRITTEN PERMISSION OF VTE INCORPORATED IS PROHIBITED.



**VTE INCORPORATED**

5437 Robinson Road, P.O. Box 790  
 Pellston, Michigan 49769 USA  
 Telephone : 1-800-527-9256, 231-539-8000  
 Fax : 231-539-0914, Efax : 231-344-5914

REV	NAME	DATE	TITLE:
SIZE	DRAWN BY: RAS	3-27-24	M10 Waterproof Power Bushing with 16mm Long Bolts
<b>A</b>	CHECKED BY: PJK	3-27-24	DWG. NO.
	DO NOT SCALE DRAWING		<b>ICB106N14</b>