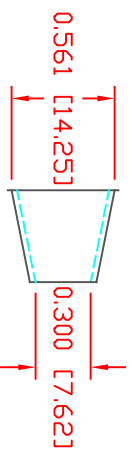
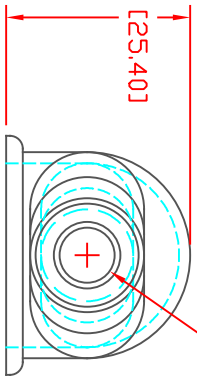
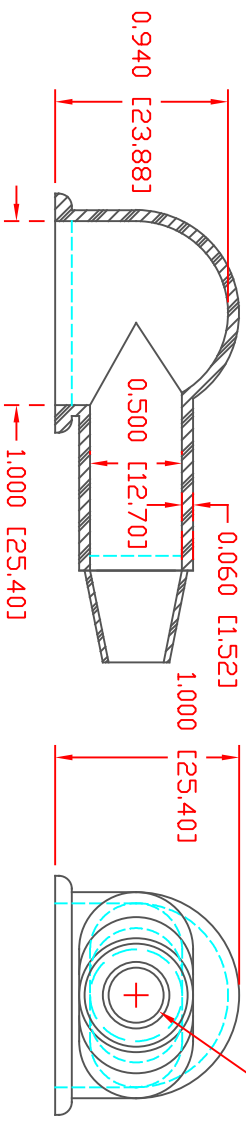
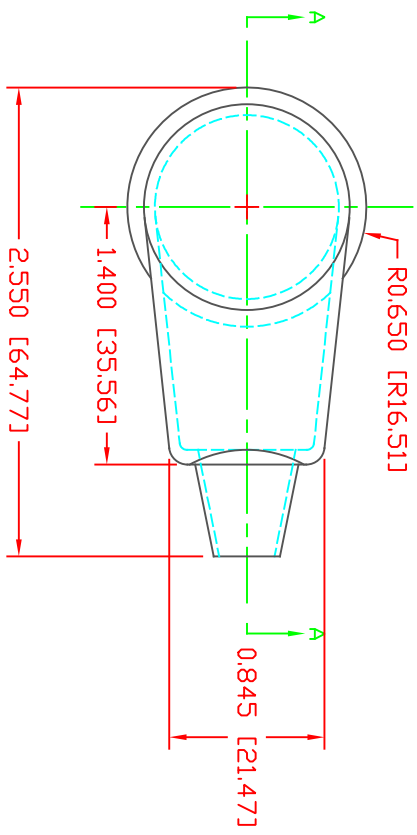


THE INFORMATION CONTAINED IN THIS DRAWING IS THE SOLE PROPERTY OF VTE INCORPORATED. ANY REPRODUCTION IN PART OR WHOLE WITHOUT THE WRITTEN PERMISSION OF VTE INCORPORATED IS PROHIBITED. VTE MAKES NO WARRANTY, EXPRESSED OR IMPLIED, AS TO THE SUITABILITY OF A PRODUCT FOR ANY INTENDED USE. THE CUSTOMER SHALL BEAR THE SOLE RESPONSIBILITY OF DETERMINING THE SUITABILITY OF ANY VTE PRODUCT FOR ITS END USE.



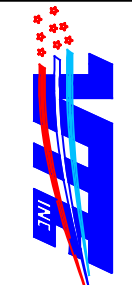
SEAL THICKNESS = .030" [.8]
 SEAL TOLERANCE: +.030/- .010 [+8/- .25]
 WIRE GAGES: 8 - 2



MATERIAL PART NO: 1103750114
 MATERIAL: TREXPRENE A74SCI
 VENDOR PART NO: A11047AA286
 SPECIFIC GRAVITY: 0.95
 HARDNESS: 75
 HARDNESS SCALE: SHORE A
 TENSILE STRENGTH, PSI: 870
 ELONGATION %: 400
 TEAR STRENGTH, KN/m: 32.2
 FLAME CLASS: FMVSS 302
 BRITTLENESS TEMP: -68.8°F [-56°C]
 MELT TEMP: 370-430°F [188-221°C]
 DIELECTRIC STRENGTH: N/A
 OPERATING TEMP: -60 - 135°C

LR.	REVISIONS	DATE	INT.
A	UPDATED DIMENSIONS	11-12-15	RAS
B	ADDED REFERENCE ONLY NOTE TO DIMENSION	7-20-22	RAS
C	UPDATED MATERIAL INFORMATION	8-02-22	RAS

SCALE FACTOR : NONE
 ALL DIMENSIONS GIVEN AS: In [mm]
 TOLERANCES UNLESS OTHERWISE SPECIFIED :
 MOLDED PARTS: ±.030" [±0.8mm]
 ALL ANGLES ARE ± 1 DEGREE



VTE Incorporated
 5437 Robinson Road, P.O. Box 790
 Pellston, Michigan 49769
 Telephone: 1-800-527-9256, 231-539-8000
 FAX: 231-539-0914

REF:	DATE:	DRN BY:	JC	WEIGHT:	
CUSTOMER DIMS	03-26-98	CHK'D BY:	JC	.019 LBS [8.48 g]	
TITLE:	EYELET TERMINAL INSULATOR				
MATERIAL:	TREXPRENE	PART NO:	405N2R14		
COLOR:	BLACK	DRG CLASS	REV C		